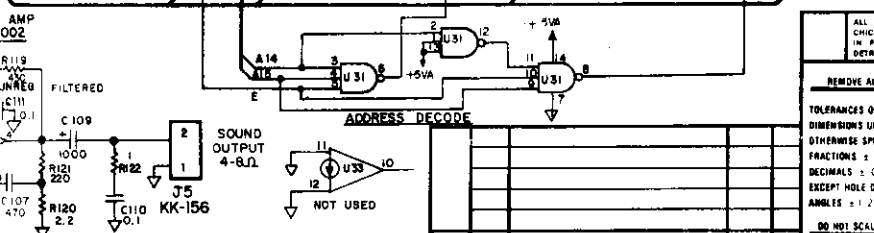
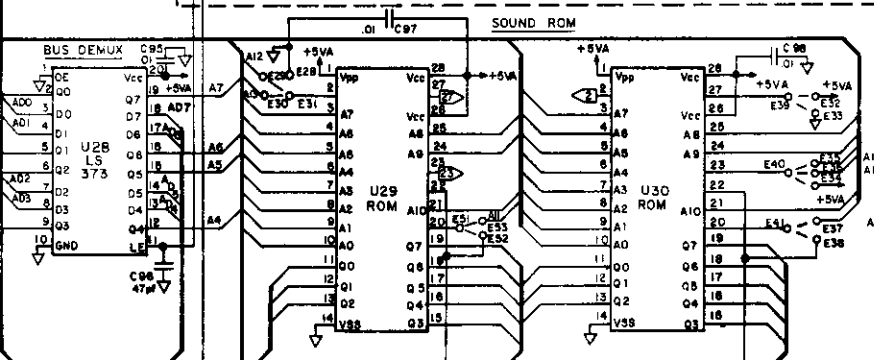
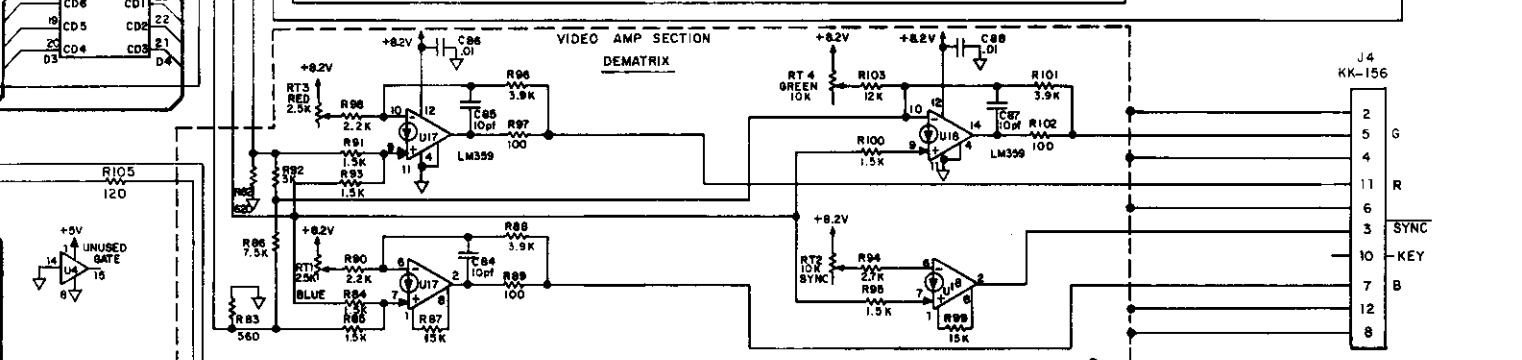
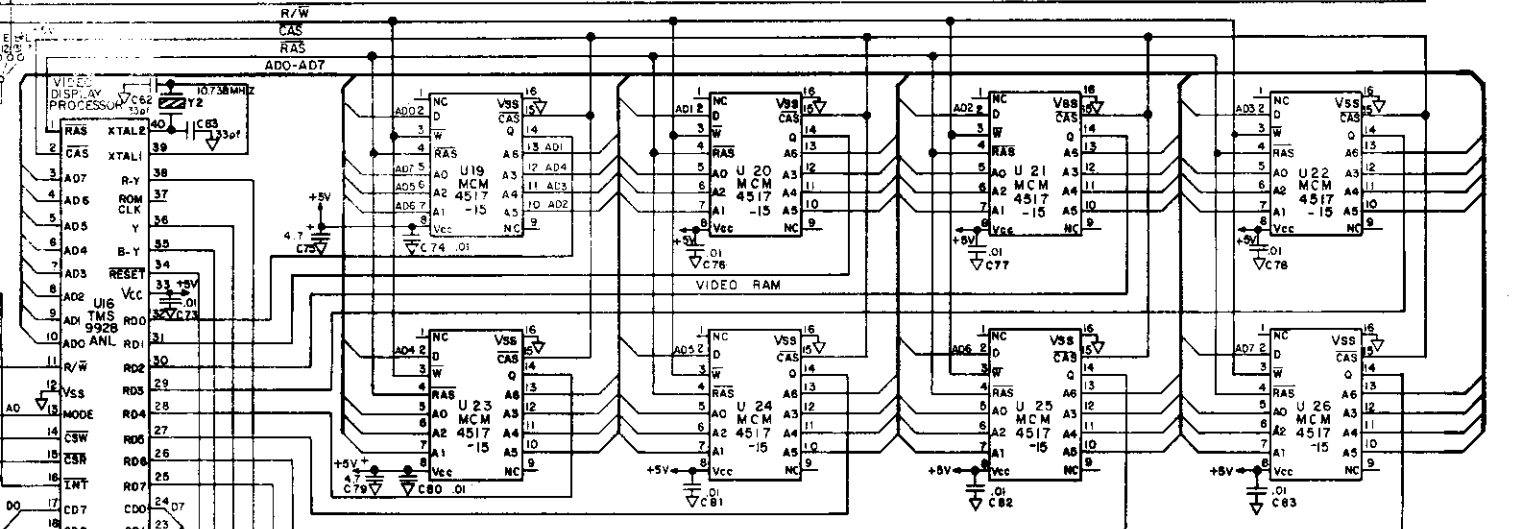
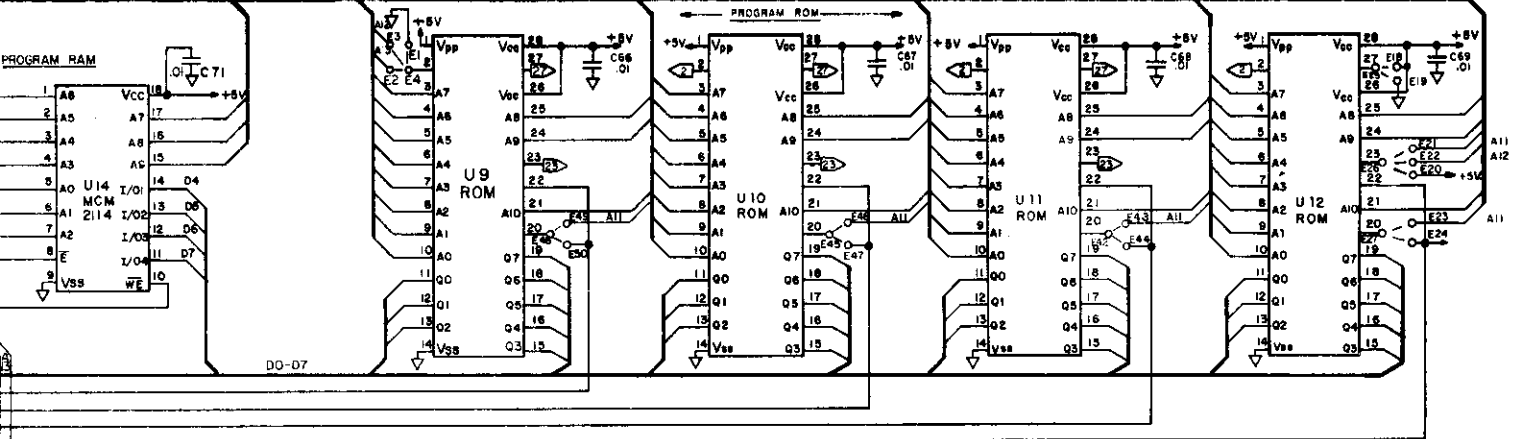


AQ-A13



NOTES:

- 1 ALL RESISTORS 5%, 1/4 W. UNLESS MARKED.
- 2 ALL CAP' IN OF UNLESS MARKED

LAST NUMBERS USED

- U35 Y3
- Q7 E53
- SW2
- J5
- R122
- C112
- CR8
- L1
- VR4

ALL DESIGN OPERATIVE AND PROCESS DATA PERTAINING TO THE ARTICLE SHOWN ON THIS SHEET IS THE PROPERTY OF BALLY MFG. CORP. CHICAGO, IL. THIS INFORMATION IS DISCLOSED IN CONFIDENCE AND IS NOT TO BE COPIED, REPRODUCED, REVEALED TO OR APPROPRIATED BY OTHERS IN PART OR IN WHOLE WITHOUT THE EXPRESS CONSENT OF THE OWNERS. THE PRINT IS LOANED AND MUST NOT BE USED IN ANY MANNER DETRIMENTAL TO THE INTERESTS OF THE OWNERS AND MUST BE RETURNED ON DEMAND.

REMOVE ALL BURS		DR BY	DATE			
TOLERANCES ON DIMENSIONS UNLESS OTHERWISE SPECIFIED FRACTIONS = 0.08 DECIMALS = 0.01 EXCEPT HOLE DIA. 5 ANNULES ± 1.2°		CK BY	DATE			
PRINT CONTROL	DIE SIZE	C.C.	FT. PER M.	LBS. PER M.	ASSEM. NO. USED	
NAME		VIDIOT		PART NO.		SCALE
MATERIAL		CODE		W-1283		C